



**The Best
Solar-Powered
Metering Pumps
Under The Sun**



The best solar powered metering pump under the sun

Wouldn't it be great if you could install a pump that would last forever?

That's why we designed the SOLAROY® Series of Solar-Powered Chemical Injection Pumps. You can set it and forget it. The SOLAROY® Series of pumps will keep working day and night, even in the most remote locations and harshest environments, driven by power provided by the sun. No costly shut-downs. No loss of production. Just continuous pumping.

Better Performance - Simple installation, innovative design features and robust construction provides trouble-free performance.

Better Value - The superior dual-seal design provides a longer pump life requiring less maintenance, reduced operating costs and no seal packing to adjust.

Best Reliability - From a company with over 75 years of metering pump expertise, the SOLAROY® metering pump is designed and built to perform consistently with the results you expect every day.



SOLAROY® Series of Solar-Powered Pumps design features:

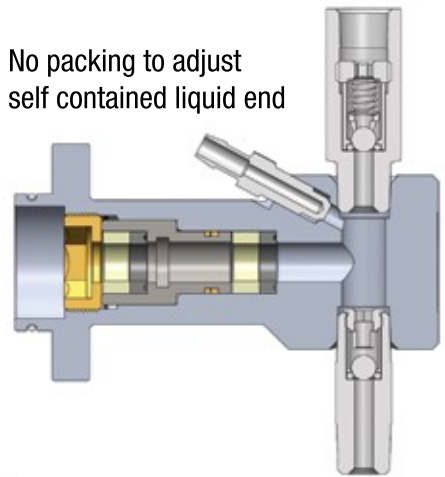
- Single-stage reduction, spur gears and integral cam
- Three (3) cam sizes (stroke length): 0.30 in., 0.45 in., 0.60 in.
- Dual-seal proven design
- No packing to adjust
- Simplex and duplex heads
- Explosion-proof (optional)
- Plunger sizes (pressure capability): 1/4 in. (5,000 psi), 3/8 in. (2,500 psi)
- Oil bath gear lubrication- to help ensure long life
- Self-contained (quick-change) 316 stainless steel liquid end design
- Plunger materials: 17-4ph stainless (standard)
- Ceramic (optional)
- Guided crosshead and seal
- 12 VDC power
- UL/CSA approvals



Engineered to last

SOLAROY® pumps are designed with innovative features to deliver the ultimate in solar-powered performance.

No packing to adjust
self contained liquid end



Motor Specifications

- Permanent magnet motor (replaceable brushes)
- Voltage range: 12VDC
- HP rating: 1/16 hp
- Agency approvals: UL, CSA

Liquid End Specifications:

- 1/4 in. or 3/8 in. plunger size
- Pressure capability: 2,500 psi (3/8 in. plunger) and 5,000 psi (1/4 in. plunger)
- Plunger material: SS-17-4ph harden (standard) and ceramic (optional)
- 316 stainless steel head
- Dual-seal proven design
- Suction and discharge check valves have TFE seat for long life and positive sealing

Drive Specifications:

- Universal drive for all pump configurations
- Three (3) cam sizes (stroke length) 0.30 in., 0.45 in. and 0.60 in.
- Single stage reduction, spur gears, and integral cam
- Designed specifically for the SOLAROY® pump

	PLUNGER	STROKE	PRESSURE (PSI)*												
			100	250	500	750	1000	1500	2000	2500	3000	3500	4000	4500	5000
FLOW (GPD)	0.250	0.300	13.8	13.7	13.5	13.3	13.1	12.8	12.4	12.0	11.6	11.2	10.9	10.5	10.1
	0.250	0.450	20.6	20.4	20.0	19.6	19.2	18.4	17.6	16.8	16.0	15.2			
	0.375	0.300	31.0	30.6	29.9	29.2	28.5	27.2	25.8	24.5					
	0.375	0.450	48.2	47.4	46.0	44.6	43.3	40.5							
	0.375	0.600	64.3	62.9	60.6	58.3	56.0								

*Based on Simplex Pump performance. For Duplex Pump performance, double the volume (gpd).

We are a proud member of Accudyne Industries, a leading global provider of precision-engineered, process-critical, and technologically advanced flow control systems and industrial compressors. Delivering consistently high levels of performance, we enable customers in the most important industries and harshest environments around the world to accomplish their missions.



To discover why the SOLAROY® Series of Solar-Powered Pumps are the best pumps under the sun, contact your local representative or visit our website at:

solaroypumps.com

Americas

201 Ivyland Road
Ivyland, PA 18974, USA
Tel: (215) 441-0800
Fax: (215) 441-8620

info@miltonroy.com
www.miltonroy.com

Europe

10 Grande Rue
27360 Pont-Saint-Pierre, France
Tel: +33-(0) 2-32-68-3000
Fax: +33-(0) 2-32-68-3093

contact@miltonroy.com
www.miltonroy-europe.com

Asia

Plot No: P 45/1
Domestic Tariff Area 8th Avenue
Mahindra World City
Chengalpattu - 603 002, India
Tel: 91-44-2225-4000 to 3
Fax: 91-44-2225-4004

miltonroyindia@vsnl.net
www.miltonroyindia.com

23 Tagore Lane #03-06
Tagore 23 Warehouse Complex
Singapore 787601
Tel: 65-6242-9182

mrapsing@miltonroy.com.sg
www.miltonroy.com.sg

Building 1, No. 879 Shen Fu Road
XinZhuang Industrial Zone
Min Hang District
Shanghai, China 201108
Tel: 86-21-61211600
Fax: 86-21-54425266

marketing.mris@miltonroy.com
www.miltonroy.com.cn



SOLAROY is a registered trademark of Milton Roy, LLC.